

# PRESSURE SWITCH EXPLOSION PROOF TYPE

## PS2100X

**CLASS I, GROUPS A, B, C, D;  
CLASS II, GROUPS E, F, G; NEMA 4X**  
Proof Pressure to 1000psi  
Adjustable Ranges: 2~100psi  
Temperature: -25 to 205°C

The New-Flow PS2100X, an explosion proof pressure switch, is designed to be used in control systems. PS2100X has high set point repeatability and narrow dead band features. A variety of range selections are available upon request. Easily adjusted to the set point, no special tools needed!

### Technical Data

**Switch Data:** one SPDT & two SPDT Microswitch, 15amps 125/250VAC, Gold Contact Microswitch 1A 125/250VAC

**Housing:** die cast aluminum alloy with paint

**Conduit Connection:** 3/4" or 1/2" NPT Female

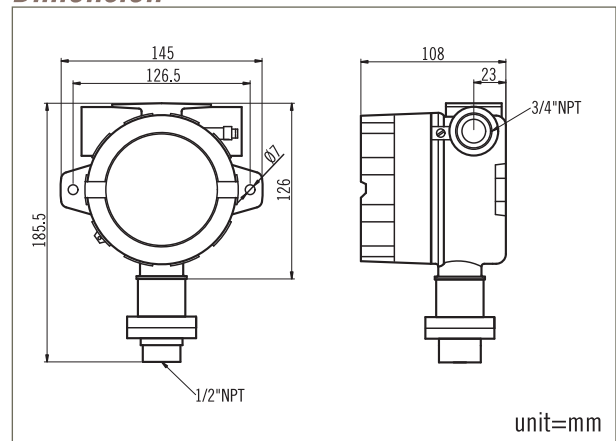
**Pressure Element:** welded type diaphragm

**Process Materials:** wetted parts are all in SS316

**Process Connection:** 1/2" or 1/4" NPT Female



### Dimension



### Range Selection Table

Code	Adjustable Range	Dead Band	Maximum Pressure Proof
04R	2~12psi	0.2~0.4	1000psi
10R	2~16psi	0.2~0.5	1000psi
20R	2~20psi	0.3~0.6	1000psi
30R	3~28psi	0.3~0.8	1000psi
40R	7~100psi	0.7~2.0	1000psi

### Ordering Information

PS2100X	Code	Range	Wetted Material		Process Connection		Conduit Connection		Switch Form	
		04R 2~12psi 10R 2~16psi 20R 2~20psi 30R 3~28psi 40R 7~100 psi	Code	SS316	(1) 1/2" NPT Female (2) 1/4" NPT Female	(E) 3/4" NPT Female, standard (F) 1/2" NPT Female	Code	1 One SPDT 2 Two SPDT (one setting point) 3 Gold Contact (SPDT)		
PS2100X										Complete Ordering Code