

ISO 9001
REGISTERED

1.0 CHARACTERISTIC

Easy installation into existing pipe
 For a wide range of pipe size from diameter 25 to 200
 Reed switch provide a SPDT contact function
 Max. pressure rating 1500 psi (st. steel)

2.0 DESCRIPTION

Operating Temperature: -30°C ~ +120°C

Reed Switch: 250VAC/DC 60W/VA

Carrying Current: 1A

Wire Conduit: ½"NPT(F)

Material: Housing- Aluminum alloy; Body- SS316+Teflon; Plate- SS301;
 other materials available up on request

Protection Class:

FS25R— IP65

FS25X— Explosion proof,

— ATEX directive code: II 2 G D

— Standard code: Exd IICT6, ExtDA21, T100°C, IP6x Ta= -20°C to +40°C

— FM Approvals: XP/II/1/ABCD/T6, DIP/II,III/1/EFG/T6, Type 4X,

Explosion proof for Class I, Division 1, Groups A,B,C,D;

and dust-ignitionproof for Class II, III, Division 1, Groups E,F,G;

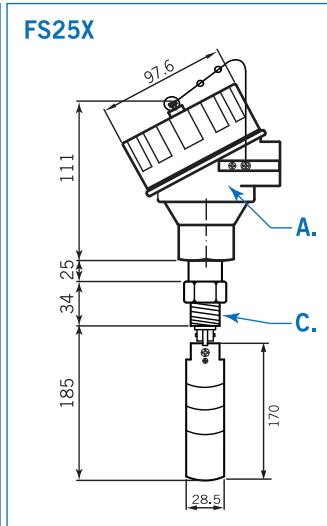
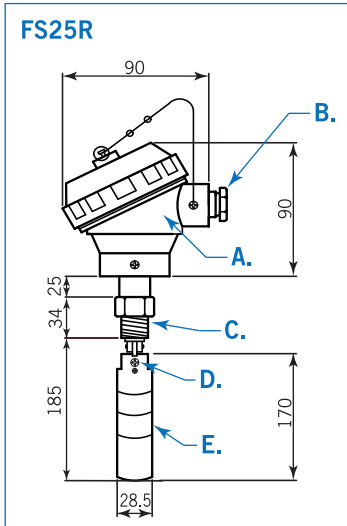
Hazardous (classified) locations; indoor/outdoor (NEMA type 4X)



FS25R

FS25X

3.0 DIMENSIONS—mm



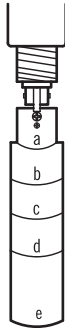
Parts List

No.	Part Name	Material
A.	Head Housing	Aluminum
B.	Conduit Connection ½"NPT(F)	—
C.	Process Connection 1"NPT(M)	SS316
D.	Screw Bolt	SS304
E.	Paddles, 5pce	SS301

4.0 5PCE PADDLE NUMBERS FOR SUITABLE PIPE SIZE

No.	Pipe Size
a	1"
b	1½"
c	2½"
d	4"
e	8" and upper

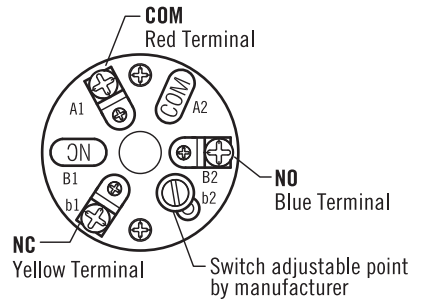
NOTE.
The paddles could be cut the length to matching the other pipe size is requested as 1¼", 3", 5", 6".



5.0 WIRE DRAWING

Reed switch: 250VAC/DC 60W/VA

Carrying current: 1A



6.0 INSTALLATION INSTRUCTION

